

## CONTRACTOR QUESTIONS & ANSWERS – 3rd RESPONSE

Fort Apache Home of Harmony Project

January 22, 2024

### Subsequent questions to the Architect by Bidding Contractors in order received

#### **Contractor Question 6:**

1. A4.01 key note 403 1.5" of Gypcrete, Is this to be installed throughout the entire upper floor? It's not specified in the finish schedule.

#### *Response Per Architect:*

*Yes, gypcrete throughout the upper level, with the following notable exceptions:*

- *the Mech. room 207 and the Janitor closet 208, which have sealed concrete floor finishes per Sheet A9.03 FINISH PLAN - UPPER LEVEL.*
- *The new stair landings are to be new concrete with their top FFE set to the raised upper level FFE (inclusive of gypcrete), so the stair floors would not have the gypcrete top.*

2. A4.10 Key note 850 refers to an in tub seat, but is pointed at the kitchen sink, please clarify.

#### *Response Per Architect:*

*Keynote referenced is mislabeled on the Typ. Kitchen Elevation, but correctly labelled on the enlarged plan as keynote 851 - ADA PLUMBING FIXTURE BY OWNER, in this case a kitchen sink.*

3. A4.10 key note 851 states fixture "by owner," but note 345 (seemingly referring to the same fixture) says "per plumbing". Should we supply and install fixtures noted 851?

#### *Response Per Architect:*

*Yes, you should supply the fixture, which is correctly notes "per Plumbing" in the plan note but mislabeled on the elevation.*

4. A6.04 key note 612 – baffle system, unable to find spec section in the specifications. Please provide additional information.

#### *Response Per Architect:*

*See attached cut sheet for frisch! BAFL acoustical ceiling baffle product: Exhibit A. The Architect to select baffle colors from standard/available baffle options by manufacturer.*

5. Specification section 11 31 00 – 2, 2.1 A. Appliances to be selected by the Architect. Could you provide us with a budget number for the appliances, or specify the make and model number of the appliances requested?

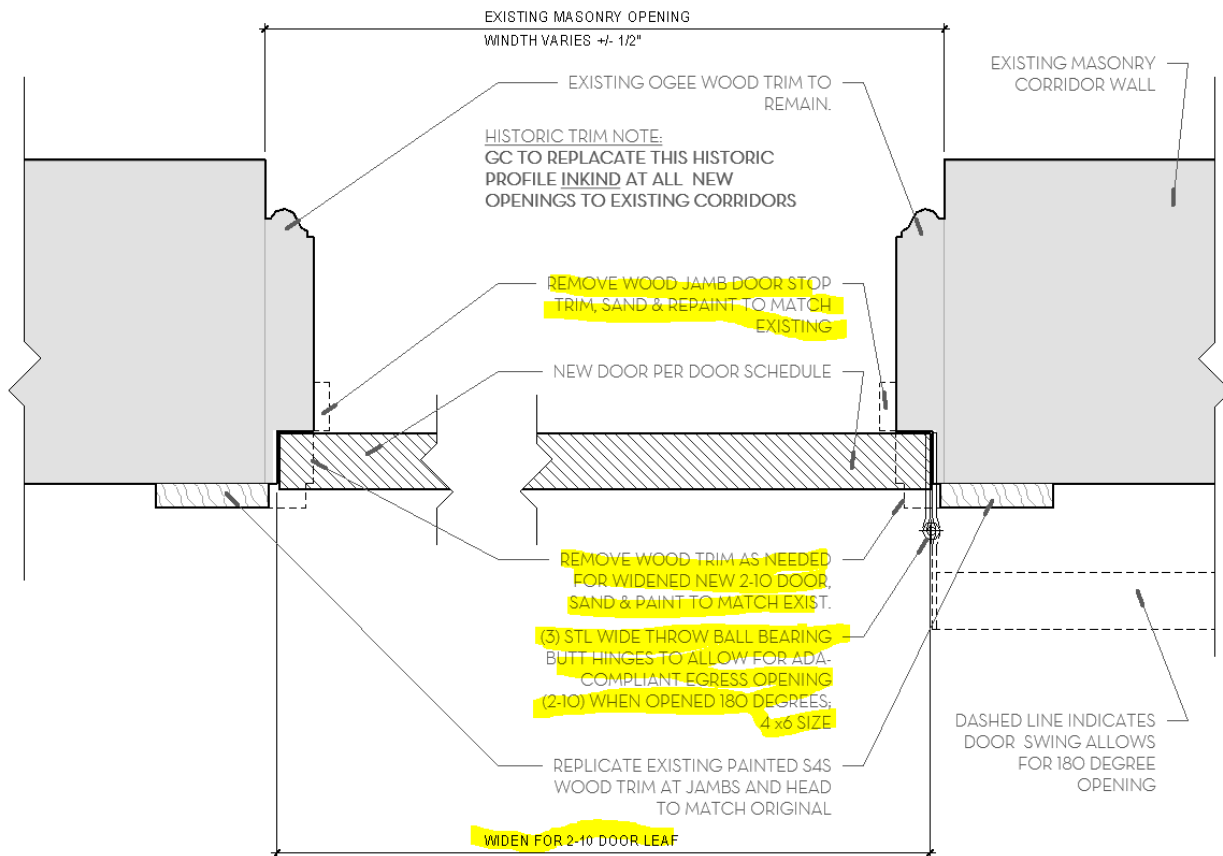
Response Per Architect:

The design intent for the appliances is to select mid-range, readily available appliances in a stainless steel finish that will be durable and easily maintained and replaced by the Owner. Manufacturers in contention would be GE and Whirlpool. While specific models are not specified herein, GC shall provide bids based on this design intent with the understanding that the Architect is open to approved equals proposed by the GC that are of like cost and quality to these base brands.

6. A10.3 – Door 130B states that its ADA, but is only 2’8” wide and is not ADA compliant.

Response Per Architect:

Door 130B should be 2-10, not 2-8. The existing doorway is 2-8 +/- and must be adjusted to allow the ADA minimum clearance. See Detail 1 on Sheet D1 and highlighted snip below.



**Contractor Question 7:**

1. Is there a spec for the clear coat paint material that will be applied to the existing plaster surfaces?

Response Per Architect:

Clear Sealer to be Benjamin Moore COROTECH Clear Acrylic Sealer VO23 or Architect approved equal. See attached cut sheet - Exhibit B.



BAFL

Fräsch was founded on the belief that creating healthy and beautiful office environments leads to a happier and highly motivated workforce.



# BAFL

## Acoustical Ceiling Baffle

BAFL is a modern take on the traditional ceiling baffle with optimal sound-absorbing properties. BAFL creates a contemporary look while reducing reverberation in any room, particularly effective in spaces with high ceilings. Give your space the silent treatment! BAFL is the perfect solution for optimal sound ambiance in any space.

### Application Ceiling Suspended

	L	W	H	WEIGHT
BAFL	23.5"	2.75"	12"	1.7 lbs.
BAFL	47.5"	2.75"	12"	3.4 lbs.
BAFL	72"	2.75"	12"	5.1 lbs.
BAFL	95"	2.75"	12"	6.8 lbs.

Custom sizing available

### Hardware

Default: 18mm Spike Bracket, Griplock, Aircraft Cable/Threaded Rod

Unistrut\*: Unistrut, Cone Nut Assembly, Threaded Rod/ Aircraft Cable, Coupler Nut, Griplock

Drop Ceiling\*: T-Bar Clip/Magnet, Coupler Nut, Hanger Bolt, Spike Bracket

\* Available Upon Request

**Material Content** 9 mm 100% PET (55% recycled content)

**Flammability** ASTM E84 Class A or B

### Acoustics

Frequency (Hz)	250	500	1K	2K	NRC
NRC	0.57	0.90	1.36	1.61	1.10
Sabins per m <sup>2</sup>	4.45	7.05	10.62	12.61	

Test was conducted while product was in its actual installation setting.

All NRC testings assumes one face/one object and does not account for the product thickness.

### Environment

Low VOC;  
Post-Consumer Recycled Content  
100% Recyclable

### Installation

BAFL comes with two perfectly placed and pre-installed 18mm Brackets for easy connectivity and quick install. Griplocks and Aircraft Cable are included. The ceiling fastener is provided by an installer.

### Country of Origin

USA

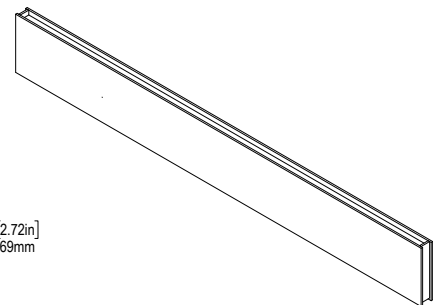
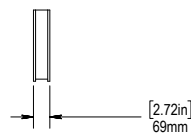
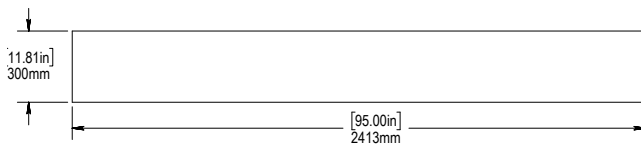
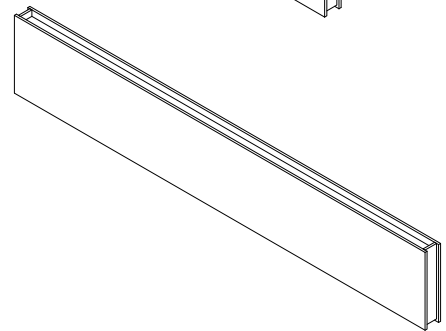
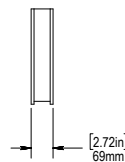
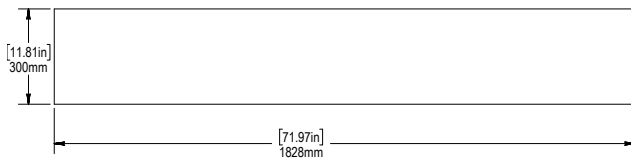
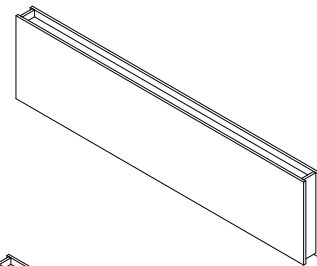
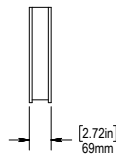
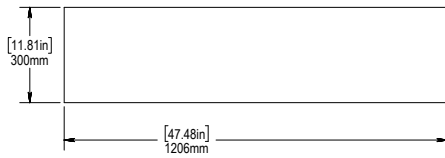
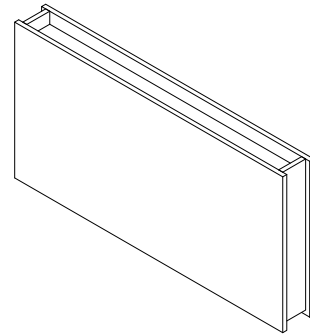
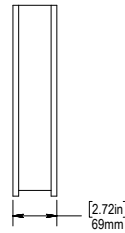
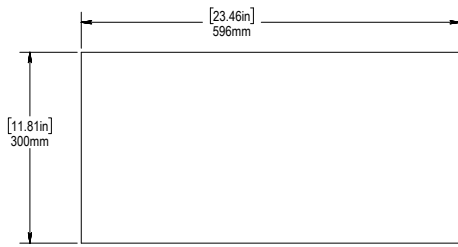
### Warranty

2 Years

**fräsch!**

609 112th Street, Suite A  
Arlington, TX 76011

## BAFL Dimensions



# Addendum 8

## Exhibit B



# CLEAR ACRYLIC SEALER V027

### Features

- Rapid dry
- Blister and alkali fume resistant
- Can be used over a variety of substrates
- Soap and water clean-up

### Recommended For

Unpainted masonry, Weathered masonry, Topcoat over low gloss latex coatings, Interior wood, Tilt-up walls, Sealer under elastomeric coatings, plaster, and brick.

### General Description

Clear Acrylic Sealer is a waterborne, fast drying, clear acrylic coating formulated as an easy-to-apply seal coat on bare concrete floors and other masonry surfaces. This product is designed to allow for easy sweep up of dust and to reduce water penetration or erosion, efflorescence, spalling, and chalking without changing the natural appearance of the substrate. Areas exposed to heavy-duty industrial traffic or severe exterior conditions may require multiple coats.

### Limitations

- Do not exceed recommended dry film thickness when used on floors
- Appears milky when applied; dries clear
- Not resistant to strong chemicals
- Latex paint must be fully cured prior to top coating with V027

### Product Information

#### Labor Saving Benefits

- Rapid dry, soap and water clean up.
- Can be used over a variety of substrates.
- Longer substrate life and less maintenance can be achieved by applying a topcoat of V027 to low gloss latex coatings.

#### Colors — Standard:

Clear (00)

#### — Tint Bases:

N/A

#### — Special Colors:

Contact your retailer.

#### Certifications & Qualifications:

Suitable for use in USDA inspected facilities

VOC REGION	COMPLIANT
FEDERAL	YES
OTC	YES
OTCII	YES
CARB	YES
CARB07	YES
UTAH	YES
AZMC	YES
SCAQMD	NO

#### Technical Assistance:

Available through your local authorized independent Benjamin Moore retailer. For the location of the retailer nearest you, call 1-866-708-9180 or visit [www.benjaminmoore.com](http://www.benjaminmoore.com)

#### Technical Data<sup>◇</sup>

	Clear
Vehicle Type	Acrylic
Pigment Type	Clear
Volume Solids	11.9%
Coverage per Gallon at Recommended Film Thickness	275 sq. ft./gallon when used as a sealer/primer 350 sq. ft./gallon when used as a protective top coat
Recommended Film Thickness	– Wet 4.6 - 5.8 mils – Dry 0.50 - 0.70 mils
Depending on surface texture and porosity. Be sure to estimate the right amount of paint for the job. This will ensure color uniformity and minimize the disposal of excess paint.	
Dry Time @ 77 °F (25 °C) @ 50% RH	– To Touch 1 Hours – To Recoat 2 Hours – Cure Time 10 - 14 Days
Painted surfaces can be washed after two weeks. High humidity and cool temperatures will result in longer dry, recoat and service times.	
Dries By	Coalescence
Dry Heat Resistance	N/A
Viscosity	80 KU
Flash Point	None
Gloss/Sheen	40 @ 60°
Surface Temperature at application	– Min. 50 °F – Max. 90 °F
Thin With	Clean Water
Clean Up Thinner	Clean Water
Weight Per Gallon	8.5 lbs.
Storage Temperature	– Min. 40 °F – Max. 90 °F

#### Volatile Organic Compounds (VOC)

164 Grams / Liter 1.37 Lbs. / Gallon

<sup>◇</sup>Reported values are for Clear. Contact retailer for values of other bases or colors

## Surface Preparation

Surfaces must be clean and sound, free of chalk, peeling paint, form oils, efflorescence, and mildew. Remove chalk, surface deposits, and loose or scaling paint by scraping, sanding, and preferably power washing. Repair all cracks and structural defects which could allow the intrusion of moisture. A common exterior paint failure on masonry construction is peeling and scaling, often caused by painting over heavy chalk deposits. The most practical and efficient way to remove this substance is by power washing. Multiple coats of paint that are in an advanced state of deterioration or prior applications of cement based coatings must be removed to a sound substrate. Sand blasting or using a mechanical grinder are effective means of preparation.

**WARNING!** If you scrape, sand, or remove old paint, you may release lead dust. LEAD IS TOXIC. EXPOSURE TO LEAD DUST CAN CAUSE SERIOUS ILLNESS, SUCH AS BRAIN DAMAGE, ESPECIALLY IN CHILDREN. PREGNANT WOMEN SHOULD ALSO AVOID EXPOSURE. Wear a NIOSH approved respirator to control lead exposure. Clean up carefully with a HEPA vacuum and a wet mop. Before you start, find out how to protect yourself and your family by contacting the National Lead Informational Hotline at 1-800-424-LEAD or log on to [www.epa.gov/lead](http://www.epa.gov/lead).

## Primer/Finish Systems

### Unpainted and Weathered Masonry

Loose, sandy masonry should be dry-brushed.

### New Cured Masonry

Prime with V027. Finish with necessary coats of V027 for a uniform finish. In hot weather, dampen porous masonry with water just before painting.

### Uncoated Concrete and Masonry Floors

When used as a dust controller, V027 must be applied to a clean, porous, uncoated substrate.

## Application

Care must be taken to achieve the specified wet and dry film thicknesses. Uniform, even coats must be obtained. Large horizontal surfaces should be spray applied; however, roller application can be performed.

### Application Equipment

Conventional or airless spray, brush, or roller.

**Spray, Airless:** Fluid Pressure —1,000 to 1,500 PSI;

Tip — .011 - .015 Orifice

## Thinning/Clean Up

Clean all equipment immediately after use with clean water. Spray equipment should be given a final rinse with mineral spirits to prevent rusting if compliant with local requirements.

## Environmental Health & Safety Information

Not a dangerous substance or mixture according to the Globally Harmonized System (GHS)

Keep container closed when not in use. In case of spillage, absorb with inert material and dispose of in accordance with local regulations. Wash thoroughly after handling. Refer to Safety Data Sheet for additional health and safety information



**WARNING** Cancer and Reproductive Harm - [www.P65warnings.ca.gov](http://www.P65warnings.ca.gov)

This document represents hazards of the product referenced above. Refer to the individual Safety Data Sheet for hazards of the specific product you will be using.

**KEEP OUT OF REACH OF CHILDREN  
KEEP FROM FREEZING  
FOR PROFESSIONAL USE ONLY**

**Refer to Safety Data Sheet for additional  
health and safety information.**